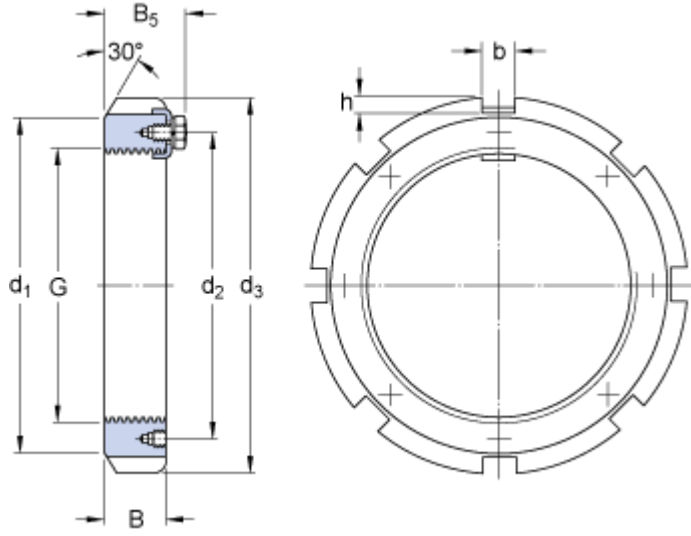


HM 3188

Dimensions



G	Tr 440x5	
d ₃	560	mm
B	70	mm
d ₁	510	mm
d ₂	478	mm
B ₅	90	mm
b	36	mm
h	20	mm

Mass

Mass lock nut	46.5	kg
---------------	------	----

Mounting information

Appropriate spanner	TMFN 80-500
Appropriate eyebolt for handling	M 10

Appropriate products

Locking clip	MS 3192-88
--------------	------------